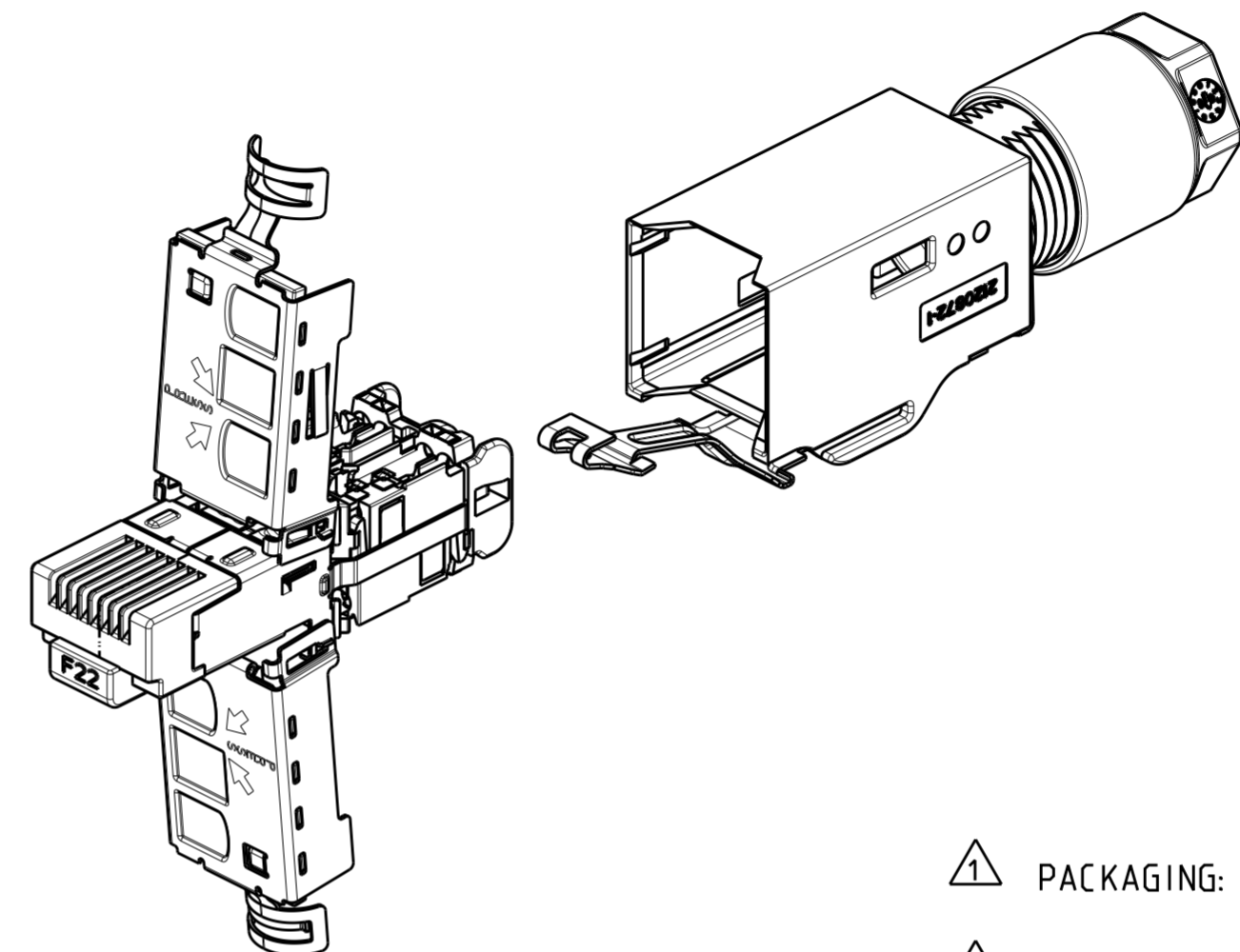
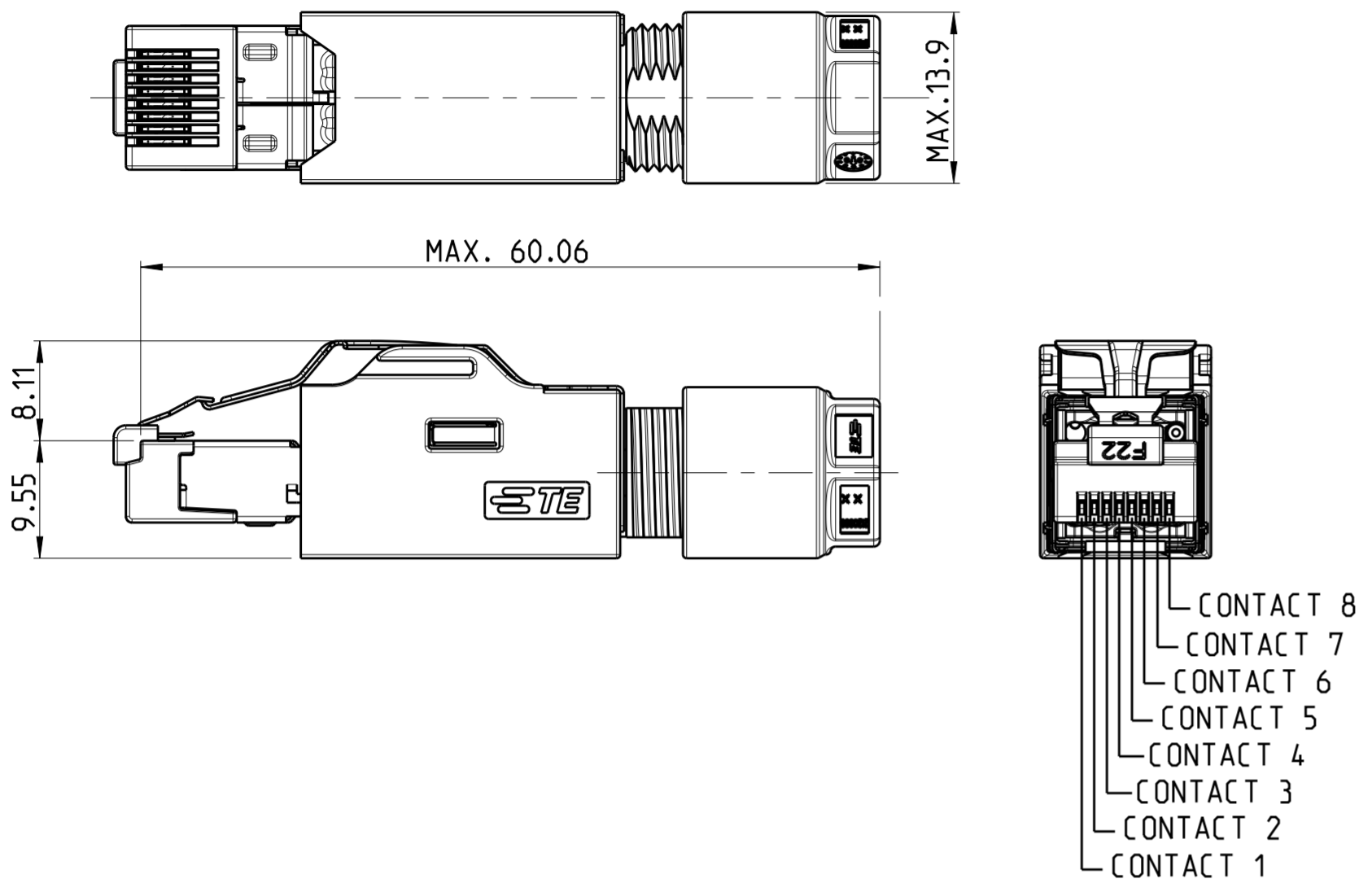


THIS DRAWING IS UNPUBLISHED
 VERBODEN DE VEROPPEENTLICHTING
 © COPYRIGHT 2013 BY TE Connectivity
 RELEASED FOR PUBLICATION
 FREI FÜR VERÖFFENTLICHUNG
 2016
 ALL RIGHTS RESERVED.
 ALLE RECHTE VORBEHALTEN.
 MATED WITH:
 PASSEND ZU:

PROJECT NR.:
 PRJ-13-000001662

| P | LTR | DESCRIPTION BESCHREIBUNG | DATE | DWN | APVD |
|----|-----|--|-----------|-----|------|
| A1 | | RELEASE FOR PRODUCTION | 04AUG2016 | SH | MS |
| A2 | | ECR-17-002761 | 01MAR2017 | GCM | JB |
| A3 | | MATERIAL DESC. UPDATED PER PCN E-17-007375 | 22MAY2017 | ER | SP |
| A4 | | STRIPPING DIMS CHANGED | 18MAR2020 | SS | MSZ |

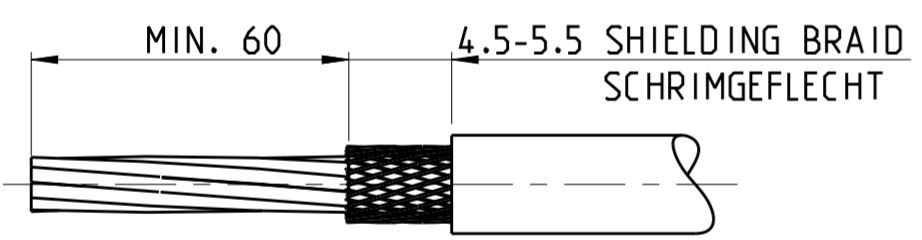
MOUNTED STATE - FOR INFORMATION ONLY
 MONTIERTER ZUSTAND - NUR ZUR INFORMATION



1 PACKAGING: PACKAGING SPEC. 107-18109
 1 VERPACKUNG: VERPACKUNGS SPEC. 107-18109

CABLE: 8 POS. AWG 24 STRANDED OR SOLID
 KABEL: 8 POL. AWG 24 LITZE ODER MASSIV

RECOMMENDED STRIPPING LENGTH
 EMPFOHLENE ABISOLIERLÄNGE



COLOR ALLOCATION OF TERMINAL WIRE TO RJ45 CONTACT 8 POS. TYPE:
 FARBZUORDNUNG DES ANSCHLUSSDRAHTES ZUM RJ45-KONTAKT 8 POL. AUSFÜHRUNG:

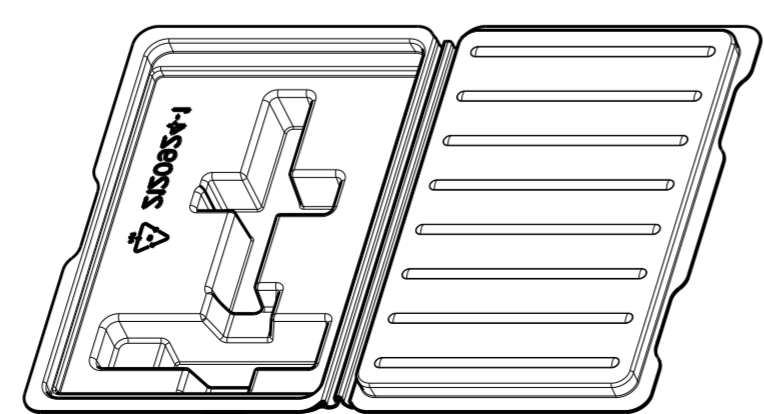
| CONTACT NO./NR. | WIRE COLOR DRAHTFARBE |
|-----------------|------------------------------|
| 1 | WHITE/GREEN WEISS/GRÜN |
| 2 | GREEN GRÜN |
| 3 | WHITE/ORANGE WEISS/ORANGE |
| 4 | BLUE BLAU |
| 5 | WHITE/BLUE WEISS/BLAU |
| 6 | ORANGE ORANGE |
| 7 | WHITE/BROWN WEISS/BRAUN |
| 8 | BROWN BRAUN |

PRODUCTION DATE CODE
FERTIGUNGSDATUM

| YEAR/JAHR | CODE | WEEK/WOCHE |
|-----------|------|------------|
| 2015 | F | 01 |
| 2016 | H | T0 |
| 2017 | J | 52 |
| 2018 | K | |
| 2019 | L | |
| 2020 | M | |

EXAMPLES:
 BEISPIELE:
 WEEK 22 IN 2015 = F22
 WEEK 3 IN 2018 = K03

SINGLE-PACKAGING
EINZEL-VERPACKUNG
 1:2



SIZE ISO 14405 (E)

| 2120892-3 | 2120892-2 | 2120892-1 | TE ORDER-NO. BESTELL-NR. | | | |
|-------------------|------------------|--------------------------|--------------------------------|--|---|--|
| 100 | 10 | 1 | 1 | RJ45 CONNECTOR CAT6A, IP20 PLUG PACKED WITH INSTRUCTION SHEET RJ45 STECKVERBINDER CAT6A, IP20 STECKER VERPACKT MIT VERARBEITUNGSANWEISUNG | BLACK FRONT CONTACTS Au FLASH OVER 0.70 µm PdNi | PBT GF 10 STAINLESS STEEL COPPER ALLOY |
| QUANTITY STÜCK | ITEM-NO. POS. | DESCRIPTION BENENNUNG | | | SURFACE OBERFLÄCHE | MATERIAL |
| | | | | | COLOUR/FARBE | |

-1 AS SHOWN
 WIE GEZEICHNET

| | | | | |
|---|--|---|--|---------------------------------|
| THIS DRAWING IS A CONTROLLED DOCUMENT. DIMENSIONING AND TOLERANCING PER GPS (ISO STANDARDS). | | DWN E. REISS 26OCT2013 | TE Connectivity | |
| DIMENSIONS: MASSEINHEITEN: [mm] | | CHK M. STRELOW 26OCT2013 | NAME RJ45 CONNECTOR CAT6A, IP20 PLUG RJ45 STECKVERBINDER CAT6A, IP20 STECKER | |
| TOLERANCES UNLESS OTHERWISE SPECIFIED: ALLGEMEINTOLERANZEN | | APVD C. SCHREITLINGER 26OCT2013 | PRODUCT SPEC 108-94413 | |
| 0 PLC ±0.3 1 PLC ±0.3 2 PLC ±0.3 3 PLC ± 4 PLC ± | | APPLICATION SPEC VERARBEITUNGSPEC 411-18570 | RESTRICTED TO MUR FÜR | |
| ANGLES/WINKEL ± FINISH/OBERFLÄCHE/FARBE | | WEIGHT GEWICHT 15g | SIZE A2 | SCALE MASSTAB 1:2 |
| MATERIAL | | CUSTOMER DRAWING | DRAWING NO. ZEICHNUNGS-NR. C-2120892 | SHEET BLATT 1 OF VON 1 |
| | | | REV A4 | |